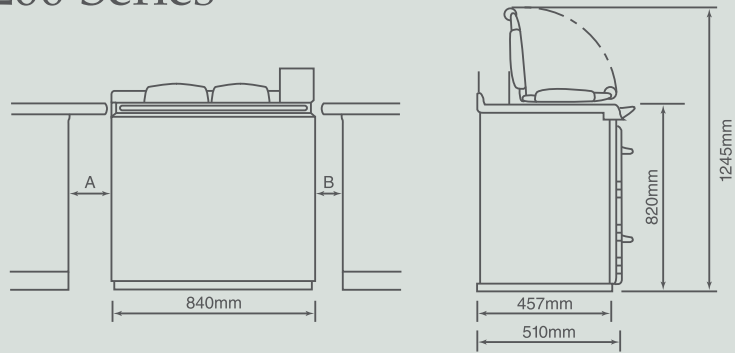
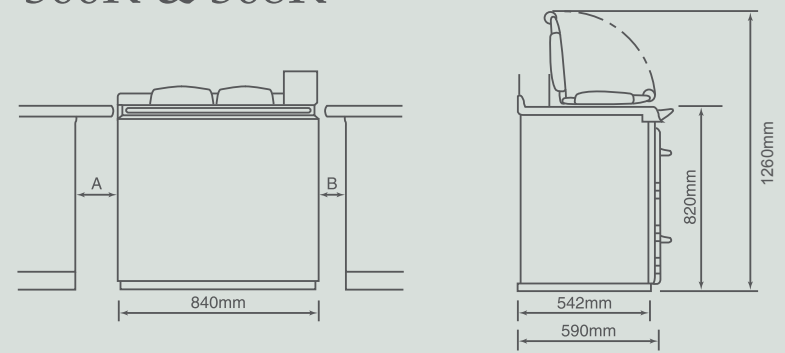


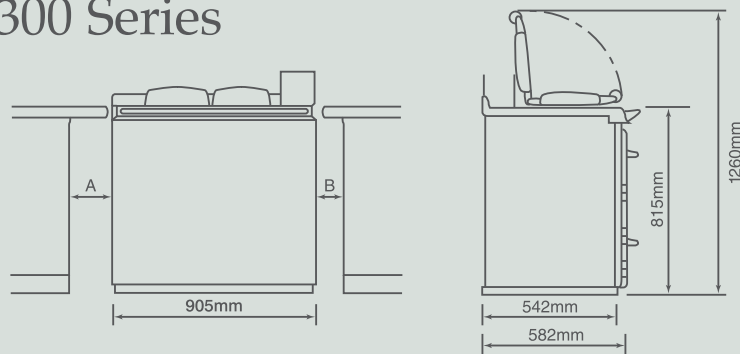
200 Series



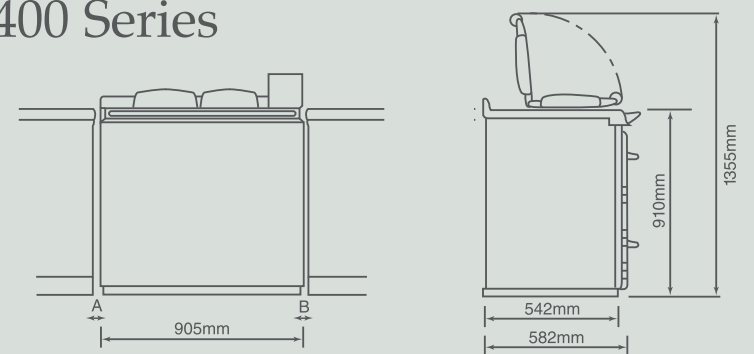
300K & 308K



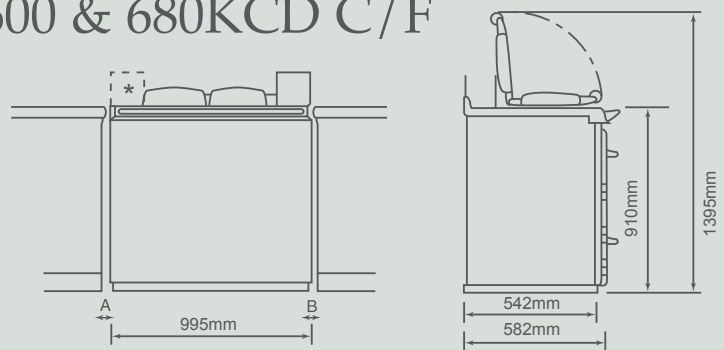
300 Series



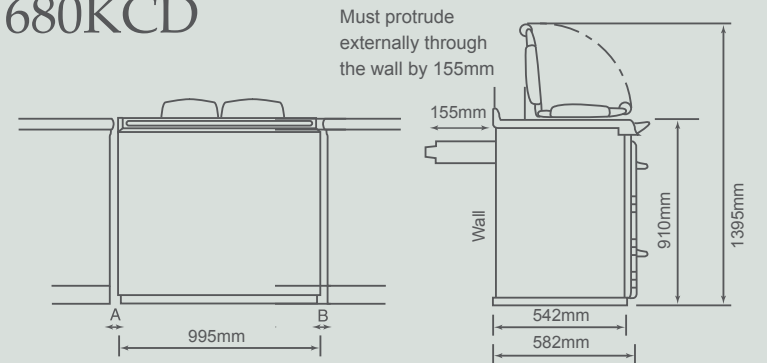
400 Series



600 & 680KCD C/F



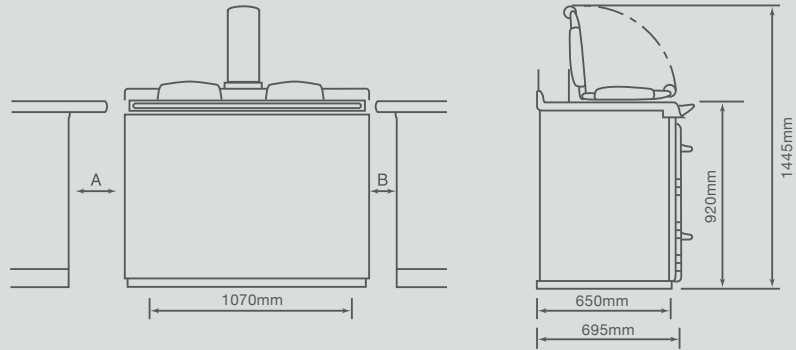
680KCD



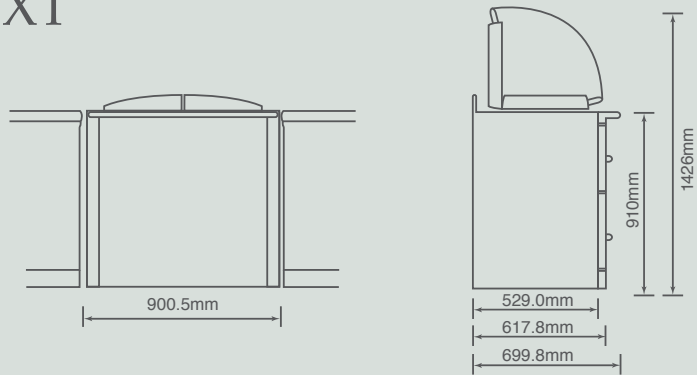
* Flue shown above is for 680KCD C/F model only, which uses a condensing flue.

* Flue shown above is for 680KCD model only, which uses a balanced flue (x2) and must be installed against an external wall in line with Building Regulations. 680KCD has separate flue outlets for cooking and heating functions.

800 Series



XT



1. On certain products, note dimensions A and B, as a space may be required between adjacent surfaces. Flush fitting is possible with 400 and 600 series models.
2. Typical dimensions only, please note therefore, slight differences dependent on model, please refer to individual product and technical guide instructions.
3. The Rayburn 600 will sit flush with a 600mm worktop. It is advisable to check the actual size/width of your appliance before finally fixing any kitchen units since enamelled cast iron can vary in size.

Hotplate & Oven Dimensions

Model Series	Height	Width	Depth	Oven Capacity
200 Series				
Hotplate	-	543mm/21.3ins	197mm/7.8ins	-
Main Oven	305mm/12ins	356mm/14ins	403mm/15.8ins	41.9L
Lower Oven	203mm/8ins	356mm/14ins	403mm/15.8ins	27.7L
300 Series				
Hotplate	-	543mm/21.3ins	273mm/10.7ins	-
Main Oven	305mm/12ins	356mm/14ins	403mm/15.8ins	41.9L
Lower Oven	203mm/8ins	356mm/14ins	403mm/15.8ins	27.7L
400 Series				
Hotplate	-	543mm/21.3ins	273mm/10.7ins	-
Main Oven	305mm/12ins	356mm/14ins	403mm/15.8ins	41.9L
Lower Oven	203mm/8ins	356mm/14ins	403mm/15.8ins	27.7L
600 Series				
Hotplate	-	600mm/23.6ins	354mm/13.9ins	-
Main Oven	310mm/12.2ins	370mm/14.6ins	410mm/16.1ins	47.0L
Lower Oven	224mm/8.8ins	370mm/14.6ins	410mm/16.1ins	34.1L
800 Series				
Hotplate	-	852mm/33.5ins	392mm/15.4ins	-
Main Oven	330mm/12.9ins	400mm/15.7ins	480mm/18.8ins	59.3L
Lower Oven	330mm/12.9ins	400mm/15.7ins	480mm/18.8ins	59.3L
XT				
Hotplate	-	605mm/23.8ins	355mm/13.9ins	-
Main Oven	305mm/12ins	356mm/14ins	403mm/15.8ins	41.9L
Lower Oven	203mm/8ins	356mm/14ins	403mm/15.8ins	27.7L

Please note that the hotplate is not controlled independently of the ovens.